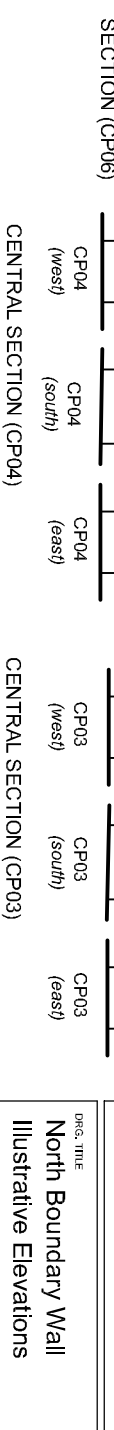
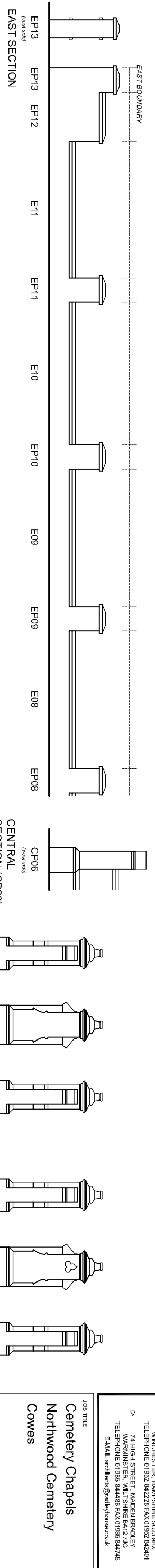
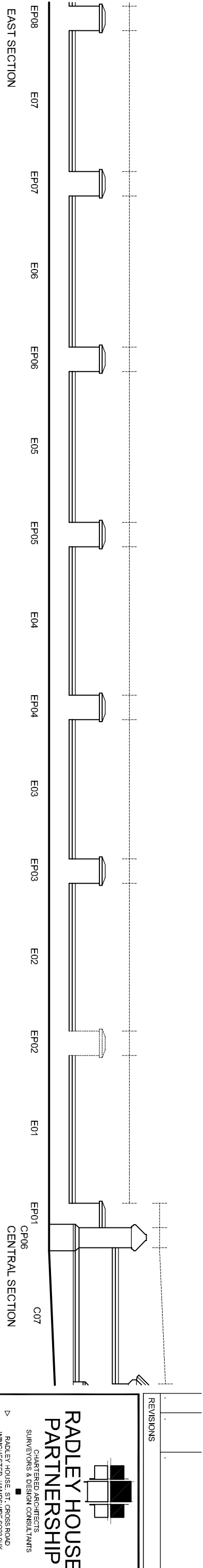
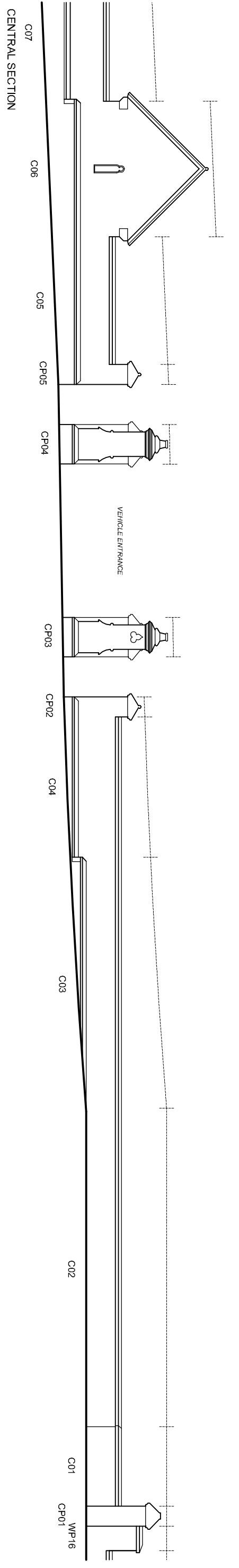
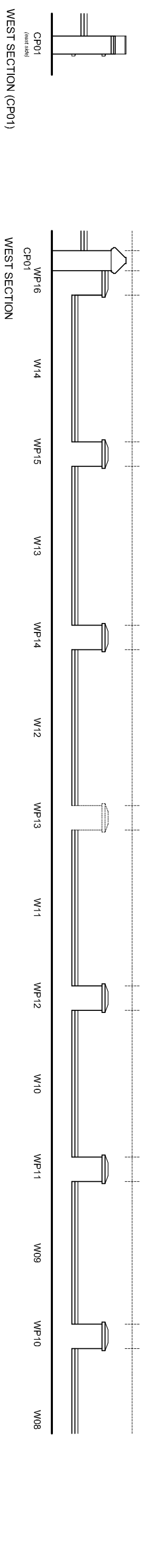
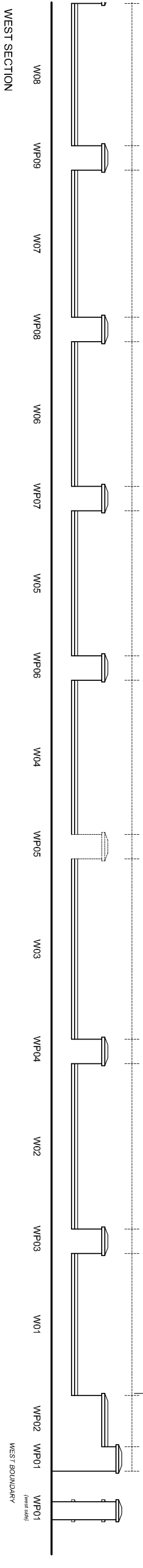


DRAWN BY	CHECKED	JOB NO	DWG NO
RC	-	5946	E07

THE DESIGN AND DRAWING ARE THE PROPERTY OF THE CONSULTANTS AND NO PARTS THEREOF ARE TO BE REPRODUCED OR TRANSMITTED IN ANY FORM OR BY ANY MEANS, ELECTRONIC OR MECHANICAL, WITHOUT THE NECESSARY PRIOR WRITTEN CONSENT OF THE CONSULTANTS.



REVISIONS
-----------

**RADLEY HOUSE PARTNERSHIP**  
 CHARTERED ARCHITECTS  
 SURVEYORS & DESIGN CONSULTANTS

▷ RADLEY HOUSE, ST. CROSS ROAD,  
 WINCHESTER, HAMPSHIRE SO23 9HX  
 TELEPHONE 01962 842228 FAX 01962 842401

▷ 74 HIGH STREET, ANDOVER RADLEY,  
 WILTSHIRE BA10 1JG  
 TELEPHONE 01965 944458 FAX 01965 944745  
 E-MAIL architects@radleyhouse.co.uk

JOB TITLE  
**Cemetery Chapels  
 Northwood Cemetery  
 Cowes**

DRG. TITLE  
**North Boundary Wall  
 Illustrative Elevations**

SCALE	JOB NO.	DRG. NO.	REV.
1:100@A3	5946	E07	-
DATE			
NOV14			